

# Technical Bulletin



## NEG Inverter – Covert Negative Plus trigger from NO to NC switching.

### Purpose:

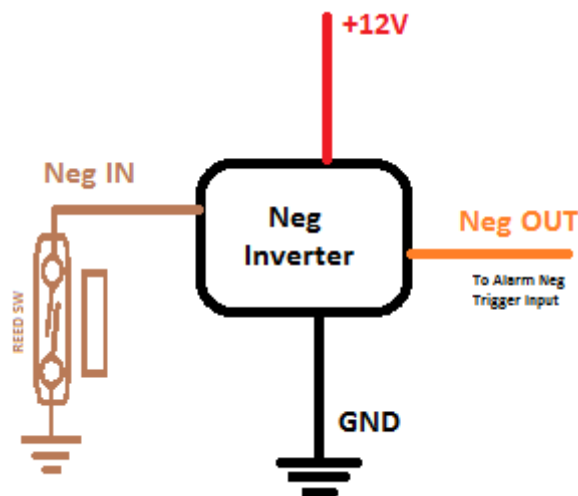
This document is primarily intended to provide technical support for system installers and integrators.

### Detail:

The NEG Inverter is a very simple device designed to provide a method for converting the negative trigger alarm input from normally open to normally closed type. For example, using a reed switch that is normally closed when sealed and when opened trigger the alarm.

### Wiring:

- Connect **RED** wire to Constant +12v or +24v power
- Connect **Black** wire to Ground or negative
- Connect **Brown** wire to ground via a normally closed device that goes open circuit when in alarm condition. E.g. Reed switch on a roller shutter
- Connect **Orange** wire to Alarm Neg Trigger input.



### Operation:

- While the negative input of the Neg Inverter is at ground potential the output of the Neg Inverter will be OFF. Open circuit.
- When the negative input of the Neg Inverter is at Not at ground potential the output of the Neg Inverter will be ON – switched to ground