

Technical Bulletin



How to hook up an RXPROR4 to WGAP864 for remote control

Purpose:

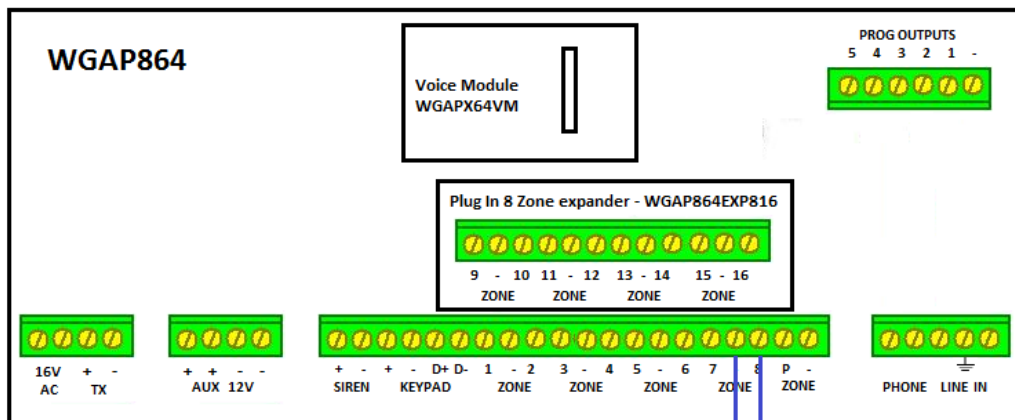
To assist installer with interfacing an RXPRO4 with a WGAP864 alarm panel.

Details:

The RXPROR4 is a 4 channel Multi-Function Receiver / Transmitter set that can be used to interface Wireless Technology to the WGAP864 alarm panel.

This includes:

- Arming and Disarming via remotes;
- Wireless PIRs
- Wireless Panic Buttons.



How to Interface an RXPROR4 to WGAP864 for remote arming and disarming.
Also can be used to interface a wireless PIR or wireless Panic button.

