

# Dual Clamp Pole Mount Camera Bracket

Model: VSBKTA152

## Technical Specifications

Heavy duty coated aluminium pole mount bracket for surveillance cameras with two clamps.

<b>Model</b>	<b>VSBKTA152</b>
<b>Materials</b>	Aluminium
<b>Dimensions</b>	118 x 87 x 21mm
<b>Pipe Thread</b>	N/A
<b>Operating Conditions</b>	-40° ~ 60°C / 90% RH (max)
<b>Load Bearing Capacity</b>	3.00kg
<b>Weather Resistance</b>	N/A
<b>Weight</b>	0.20kg

Product specifications and bracket compatibility are subject to change.



## Bracket Compatibility

This bracket is compatible with the following cameras from VIP Vision and/or Securview Victory Series.



### VIP Vision™ IP Surveillance Cameras

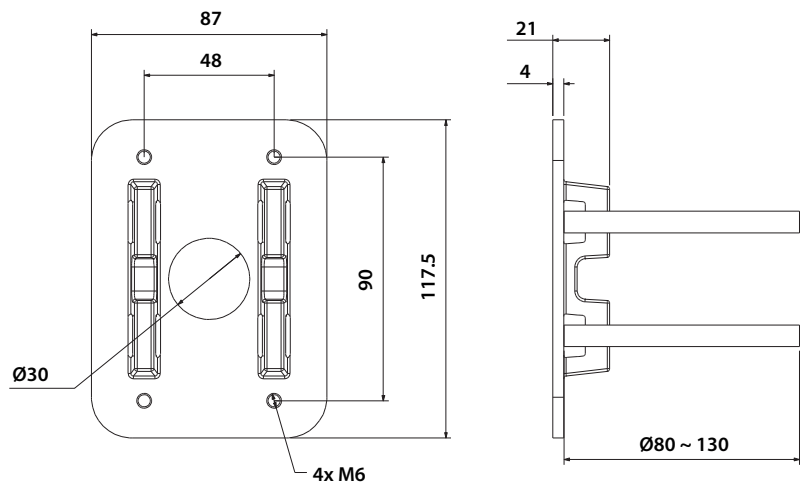
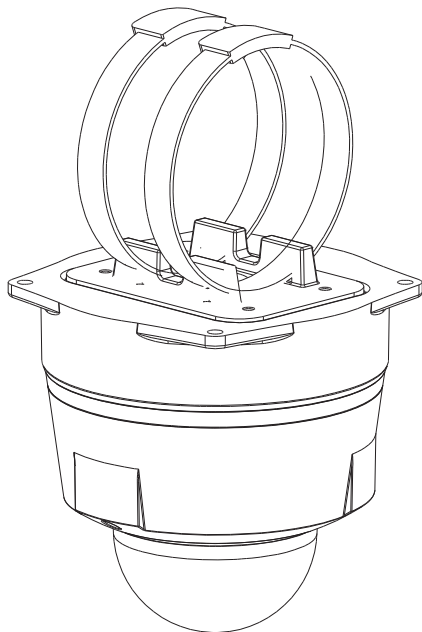
Requires adapter/junction box for compatibility (all models that use VSBKTA130/A122/A123/A131/B302S).



### Securview Victory Series™ HD Over Coax Cameras

Requires adapter/junction box for compatibility (all models that use VSBKTA130/A122/A123/A131/B302S).

## Product Diagrams



Your professional CCTV surveillance dealer: