

Package includes:

- 4x Parking Sensors with connector cables
- 1x Control Box with power cable
- 1x Buzzer
- 1x 19mm saw drill bit
- 1x Installation manual



Detection range	2.5 metres
Sensors	40KHz
Audio	Yes

Disconnect the battery prior to doing electrical work on the vehicle.

- Using the hole saw bit, drill 4 evenly separated holes into the body of the vehicle.
- Insert a sensor into each hole drilled. Ensure that no part of the vehicle is blocking the sensor, to prevent false alarms.
- Mount the control box to the vehicle, and connect the sensor cables to the A, B, C and D sockets.
- Attach to the buzzer anywhere near the driver's seat, and connect it to the control box.
- Connect the control box's power wire (red) to a 12v positive power supply on the vehicle. Some constant 12v power sources include the vehicle's alarm system and clock.
- Connect the ground wire (black) to a suitable ground point.
- Turn on the system and set the volume with the low/high switch on the control box.

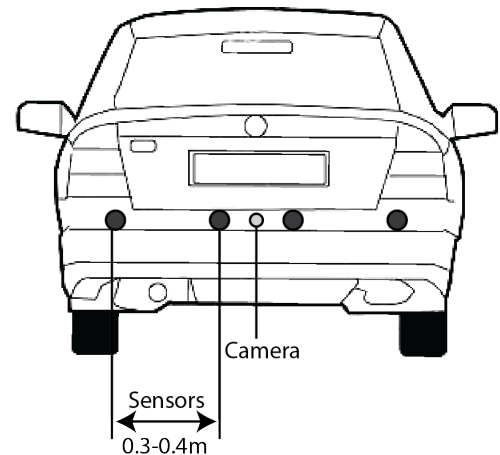
Buzzer warning system

1.5 - 1.1m	Safe
1.0 - 0.6m	Warning
0.5 - 0.4m	Danger
0.3 - 0.0m	Immediate Danger



The parking sensors in this kit work for up to 2.5 meters, which provides warning of vehicles and smaller obstacles hidden in the blind spot behind your vehicle.

The parking sensors work in conjunction with an internal buzzer, (hidden from view) that increases in frequency as you approach the object.



Ideal sensor placement