



AI People & Vehicle Detection

Face Recognition

The best in imaging & AI.

Ultimate AI PTZ Series: 40x zoom PTZ dome available in 8.0MP

Ultimate AI Series PTZ domes offer the best in camera performance & mobility, with machine-learning AI features to deliver a superior PTZ surveillance experience. Capture incredible images in 4K resolution, with 40x optical zoom & exceptional low-light performance. Cameras in this series can perform face recognition comparison and distinguish people & vehicles from other motion events, using auto-tracking to intelligently follow subjects.

- Stream up to 8.0MP / 4K (3840 x 2160) at 25fps
- 40x optical zoom lens (64° ~ 2° viewing angles)
- Low light colour performance at 0.002lx; 500m IR
- Intelligent auto tracking via person/vehicle AI rules
- Face recognition database up to 10,000 face images
- Endless 360° panning with -30° ~ 90° tilt adjust
- MicroSD card slot for edge recording applications
- Audio, alarm and video interface input/output
- Supports power via Hi-PoE (IEEE802.1x)
- Built-in camera heater & IP67 rated housing



40x Lossless Optical Zoom



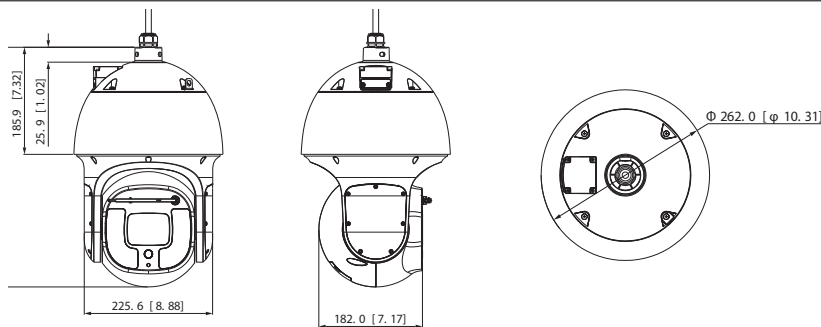
Face Recognition & Perimeter Protection



Superb Low Light Performance

Specifications		8.0MP 40x Zoom PTZ with AI
Ordering Information		VSIPTZ-8IRU-I: Standard
Camera	Image Sensor	1/1.8" 8.0MP Progressive Scan CMOS
	Effective Pixels	3840 (H) x 2160 (V)
	Min Illumination	0.002 Lux/F1.4 (Color), 0.0002 Lux/ F1.4 (B/W), 0 Lux/F1.4 (IR on)
	Infrared System	10 x Infrared LED, 500m range, Auto/manual on/off control
	Lens / Iris	5.6 ~ 223mm F1.4 ~ F4.8 Motorised Lens with Auto Iris
Lens	Field of View	63.9° ~ 2.0° (H), 37.2° ~ 1.2° (V), 71.2° ~ 2.4° (40x Optical Zoom)
	Focus	Auto/Manual Control, 0.1 ~ 1m Min. Focus Distance
	DORI Distances	4400m / 1740m / 880m / 440m
PTZ	Pan / Tilt Range	Pan: 0 ~ 360° (endless) / Tilt: -30 ~ 90° / Auto-flip 180°
	PTZ Speed	Preset: Pan: 240°/s; Tilt: 120°/s Manual: Pan: 240°/s; Tilt: 100°/s
	Modes / Presets	Up to 300 presets / 5 Pattern, 8 Tour, Auto Pan, 5 Auto Scan
	Start-up Action	Auto-restore to previous PTZ/lens status
	Resolution	8.0MP (3840 x 2160) to CIF (352 x 288)
Video	Frame Rate	Main: 8.0MP (1 ~ 25fps) Sub: D1 (1 ~ 25fps) Third: 1080p (1 ~ 25fps)
	Video Compression	H.265+ / H.265 / H.264+ / H.264 / MJPEG (Sub Stream)
	Bit Rate	H.265/H.264: 512K ~ 8192Kbps
	Bit Rate Control	Constant bit rate (CBR) / Variable bit rate (VBR)
	Day/Night	Auto (ICR) / Color / B&W
	Lighting Compensation	BLC / HLC / WDR (120dB)
	White Balance	Auto / ATW / Indoor / Outdoor / Manual
	Gain Control	Auto / Manual
	Noise Reduction	Ultra 2D/3D DNR
	Picture Control	Flip 180°
	Intelligence	AI Functions
IVS Functions		Abandoned object detection, Missing object detection
Video Functions		Motion Detection, Region of Interest, Electronic Image Stabilisation, Privacy Masking (24 zones), Defog
Event Trigger		Motion Detection, Video Tampering, Scene Changing, Network Disconnection, IP Address Conflict, Illegal Access, Storage Anomaly
Network	Ethernet	RJ-45 (10Base-T/100Base-TX)
	Protocol	IPv4/IPv6; HTTP; HTTPS; SSL; TCP/IP; UDP; UPnP; ICMP; IGMP; SNMPv1/v2c/v3(MIB-2); ARP; RTCP; RTSP; RTP; SMTP; NTP; DHCP; DNS; PPPOE; DDNS; FTP; IP Filter; QoS; Bonjour; 802.1x
	Streaming Method	Unicast / Multicast
	Max. User Access	20 Users
Interface	Video Interface	1 port (BNC, 1.0V [p-p], 75Ω)
	Audio Interface	1 Input, 1 Output / Compression: G.711a/G.711mu/PCM/G.726/AAC/G722.1/G.729/ MPEG2-Layer2
	Alarm Interface	7 Inputs / 2 Outputs
	RS485	Yes
	Edge Storage	MicroSD Card (up to 256GB) / NAS / Local PC
	Interoperability	ONVIF Profile S&G / API
Environmental	Power Supply	24VAC / 3A (±25%) / Hi-PoE
	Power Consumption	<26W / <42W (infrared & heater on)
	Operating Conditions	-40° ~ +70° C / Less than 95% RH
	Ingress Protection	IP67
	Vandal Resistance	N/A
	Housing	Metal
	Dimensions & Weight	Φ262(mm) x 415.6 (mm) / 8.5kg

Application



Included Accessories

AC power supply
VSBKT306W

Wall Mount

Pole Mount

VSBKT306W

VSBKT306W +
VSBKTA150

Your local VIP Vision™ IP solutions professional: