



# Vehicle video evidence.

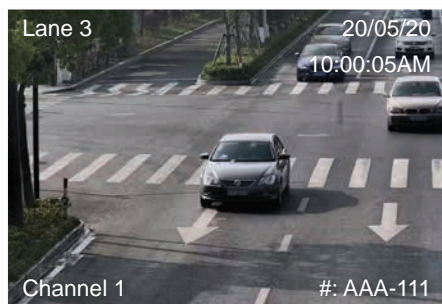
## AI Traffic Series: Motorised Lens 2.0MP bullet camera with AI-enhanced ANPR

Specially designed for number plate enhancement, Traffic AI Series number plate cameras are designed to obtain video evidence with vehicle identification in controlled environments with challenging lighting conditions. Enhanced with AI, this series has superior plate recognition compared to earlier ANPR models and additional smart features.

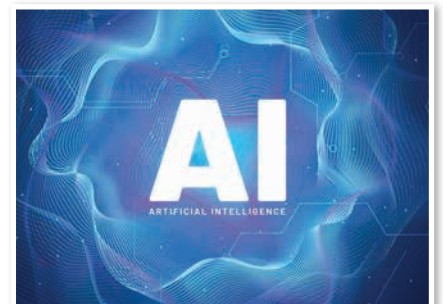
- Stream Full HD 1080p (1920 x 1080) at 25fps
- 2.7~13.5mm motorised lens (119 ~ 32°, DC auto iris)
- Automatic number-plate recognition (ANPR)
- AI-enhanced plate capture and vehicle detection
- Edge enhancement for number plate detail & legibility
- Supports shutter speed windowing; set min/max speed
- Highlight compensation removes headlight glare
- Capture number plates for vehicles going up to 40km
- Identify vehicle size, colour & direction with AI
- IP67 weather & vandal resistant metal housing



**Automatic Number Plate Recognition**



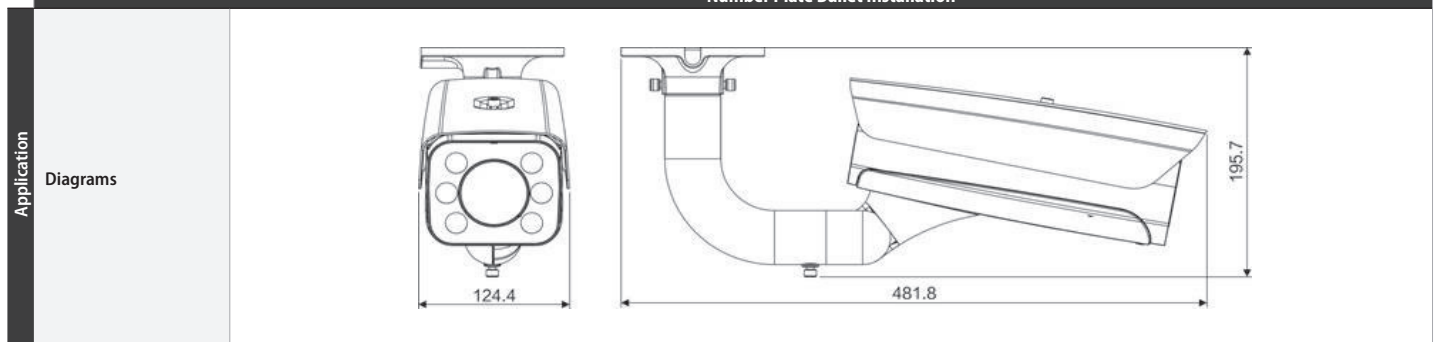
**Detailed OSD Configuration**



**Vehicle Data Structuring with AI**

Specifications		2.0MP Number Plate Bullet + AI Enhanced ANPR	
Ordering Information		VSIPNP-2BIRM-I: Standard	
Camera	Image Sensor	1/2.8" 2.0MP Progressive Scan CMOS	
	Effective Pixels	1920 (H) x 1080 (V)	
	RAM / ROM	N/A	
	Min Illumination	0.005 Lux/F1.3 (Color), 0 Lux/F1.3 (IR on)	
	S/N Ratio	N/A	
Infrared System		6 x Infrared LED, 12m range, Auto/manual on/off control	
Lens	Lens / Iris	2.7 ~ 13.5mm F1.3 Motorised Varifocal Lens with Auto Iris	
	Field of View	Horizontal: 119°~32°, Vertical: 65°~18°	
	Focus	Auto Focus / 3 ~ 8m ANPR Focus Distance	
Video	Resolution	1080p (1920 x 1080) to D1 (704 x 576)	
	Frame Rate	Main	1080p (1 ~ 25fps)
		Sub	D1 (1 ~ 25fps)
		Third	N/A
	Video Compression	H.265 / H.264M / H.264H / H.264B	
	Bit Rate	32 ~ 16384Kbps	
	Bit Rate Control	Constant bit rate (CBR) / Variable bit rate (VBR)	
	Day/Night	Auto (ICR) / Color / B&W	
	Lighting Compensation	BLC / HLC / WDR (120dB)	
	White Balance	Auto / Manual	
	Gain Control	Auto / Manual	
Noise Reduction	3D DNR		
Picture Control	N/A		
IIS	Intelligent Functions	Number Plate Edge Enhancement, Number Plate Recognition, Loop/Video Detection, Snapshot, OSD (Time, Location, Number Plate, Lane No.), White List (up to 10000), Barrier Control (1ch Relay Out), Vehicle Data Structuring (Vehicle Size, Vehicle Colour & Vehicle Direction)	
	Vehicle Size Detection	Support 11 Vehicle Sizes: Large Bus, Medium Bus, Heavy Truck, Medium Truck, Light Truck, Sedan, Minivan, SUV, MPV, Pick Up and Minicar	
	Vehicle Colour Detection	Supports 11 Vehicle Colours (Daytime Only): White, Black, Blue, Red, Yellow, Green, Pink, Purple, Grey, Brown, Orange, Silver	
Network	Ethernet Protocol	RJ-45 (100/1000 Base-T) IPv4; IPv6; HTTP; TCP/IP; UDP; NTP; DHCP; DNS	
	Streaming Method	Unicast / Multicast	
	Max. User Access	20 Users	
	Video Interface	N/A	
Interface	Audio Interface	1 Input / 1 Output	
	Alarm Interface	3 Input / 3 Output	
	RS485	Yes	
	Edge Storage	MicroSD Card Slot (up to 64GB) / Local PC	
	Interoperability	ONVIF / SDK / CGI	
Environmental	Power Supply	12VDC / PoE+ (802.3at)	
	Power Consumption	N/A	
	Operating Conditions	-30° ~ +65° C / Less than 95% RH	
	Ingress Protection	IP67	
	Vandal Resistance	N/A	
	Housing	N/A	
	Pan/Tilt/Rotation	N/A	
Dimensions	297 x 124 x 108mm (without bracket) / 482 x 124 x 196mm (with bracket)		
Net Weight	1.9kg (without bracket) / 3.3kg (with bracket)		

### Number Plate Bullet Installation



Your local VIP Vision™ IP solutions professional: