

# Adapter/Junction Box for Surveillance Cameras

Model: VSBKTA132

## Technical Specifications

Aluminium adapter/junction box used as a spacer or as connector for corner & pole mounts.

<b>Model</b>	<b>VSBKTA132</b>
<b>Materials</b>	Aluminum
<b>Dimensions</b>	155 x 155 x 39mm
<b>Pipe Thread</b>	M20 (G1/2")
<b>Operating Conditions</b>	-40° ~ 60°C / 90% RH (max)
<b>Load Bearing Capacity</b>	3.00kg
<b>Weather Resistance</b>	Yes
<b>Weight</b>	0.60kg



Product specifications and bracket compatibility are subject to change.

## Bracket Compatibility

This bracket is compatible with the following cameras from VIP Vision and/or Securview Victory Series.



### VIP Vision™ IP Surveillance Cameras

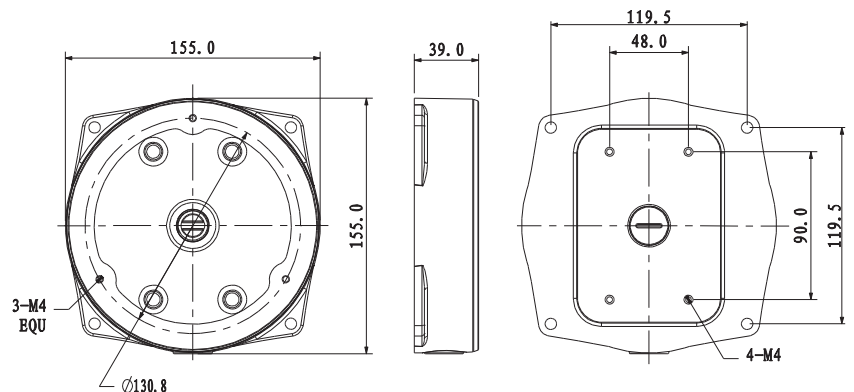
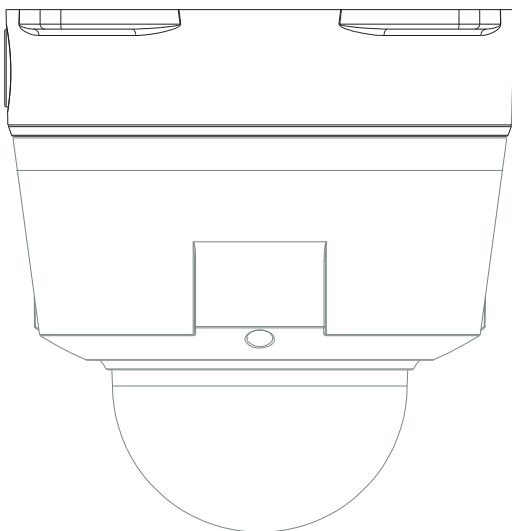
As junction box or as adapter for corner & pole mount brackets. Compatible models: VSIP5MPVDIRM, VSIP3MPVDIRM, VSIP3MPVDIRV2, VSIP12MPFEIR, VSIP6MPFEIR



### Securview Victory Series™ HD Over Coax Cameras

As junction box or as adapter for corner & pole mount brackets. Compatible models: VSCVI2MPVDIRM30M

## Product Diagrams



Your professional CCTV surveillance dealer: