



Camera Quick Install Guide



VDMINIIRCB Series

Available in 2.0MP, 4.0MP and 8.0MP, with 2.8mm, 3.6mm and 6.0mm lenses.

Thank you for purchasing a VDMINIIRCB Series CCTV Surveillance Camera.

This Quick Install Guide covers basic setup, installation and use of your surveillance system.

For the full user manual, instructional videos, tips on using your surveillance system & warranty information, please visit: www.vip-vision.com

Applicable Models

VSIP2MPVDMINIIRCB3.6	2.0MP WDR Infrared Fixed Mini Dome (3.6mm)
VSIP4MPVDMINIIRCB2.8	4.0MP WDR Infrared Fixed Mini Dome (2.8mm)
VSIP4MPVDMINIIRCB3.6	4.0MP WDR Infrared Fixed Mini Dome (3.6mm)
VSIP4MPVDMINIIRCB6	4.0MP WDR Infrared Fixed Mini Dome (6.0mm)
VSIP8MPVDMINIIRCB	8.0MP Infrared Fixed Mini Dome (6.0mm)

Safety Information

Electrical safety

- All installation and operation here should conform to your local electrical safety codes.
- Check that the power supply is correct before operating the camera.
- Ensure the power supply conforms to the requirement in the SELV (Safety Extra Low Voltage) and the Limited power source is rated DC 12V or AC 24V in the IEC60950-1. (Power supply requirement is subject to the device label).
- Do not install wiring while the camera is powered on.
- Prevent the power cable from being trampled or pressed, especially the plug, power socket and junction.
- We assume no liability or responsibility for any fires or electrical shock caused by improper handling or installation.
- We assume no liability or responsibility for any problems caused by unauthorized modification or attempted repair.

Environment

- Do not aim the camera at strong light (such as lighting, sunlight, etc) to focus; this may cause overexposure, which will affect the longevity of the CCD and/or CMOS.
- Transport, use and store the camera within the specified range of humidity and temperature.
- Do not store the camera in a wet, dusty, extremely hot, or extremely cold location, or in an area with strong electromagnetic radiation or unstable lighting.
- Do not allow water or other liquids to fall into the camera; this may damage internal components.
- Do not allow water or other liquids to make contact with indoor cameras (cameras with no IP rating); this may damage the camera or cause fire/electrical shocks.
- Keep the camera well ventilated in case of heat accumulation.
- Pack the camera with the included factory packaging (or material of similar quality) while transporting to prevent damage.
- While being transported, stored or installed, ensure the camera does not experience heavy stress, strong vibration or liquid contact.

Warning

- Change the default password after login in order to avoid unauthorised access.
- Install the camera using the standard accessories provided by the manufacturer and make sure the device is installed and fixed by professionals.
- Keep the camera away from laser beams while using a laser device.
- Do not connect two power sources to the device at the same time; this may result in damage to the camera.

Statement

- Refer to the actual product for more details; the manual is just for reference.
- The manual will be regularly updated as the product updates; the updated content will be added to the manual without prior announcement.
- Contact the supplier or customer service if there is any problem occurred camera using the camera.
- Contact the supplier or customer service for the latest procedure and supplementary documentation.
- Actual value of some data and the value provided in the manual may differ due to environmental differences, etc.
- VIP Vision is not liable for any damages caused by operation which is not followed in the manual.

Operation and Daily Maintenance

- Do not touch the heat dissipation component of the camera directly in order to avoid burns.
- Do not dismantle the device; there is no component which can be fixed directly by users in the camera. Contact the supplier to replace desiccant if it becomes green.
- Grounding the camera is recommended to enhance the reliability of it.
- Do not touch the CCD (CMOS) optic component directly. Use an air duster to clean dust or dirt on the lens surface, or use a cloth lightly wet with alcohol to wipe away dust gently.
- Use a dry soft cloth to clean the camera. If there's a large amount of dust, use a mild detergent diluted with water first. Don't use volatile solvents such as alcohol, benzene, thinner or strong detergents, as this may damage the surface coating or damage the camera.
- To clean the lens, use a dry soft cloth to wipe water or oil gently until dry, then use an oil-free cotton cloth or paper soaked with alcohol/detergent to wipe from the centre of the lens outwards.

FCC information

FCC conditions

- This device complies with part 15 of the FCC Rules. Operation is subject to the following two conditions:
 - This device may not cause harmful interference.
 - This device must accept any interference received, including interference that may cause undesired operation.

FCC compliance

- This equipment has been tested and found to comply with the limits for a digital device, pursuant to part 15 of the FCC Rules. These limits are designed to provide reasonable protection against harmful interference. This equipment generates uses and can radiate radio frequency energy and, if not installed and used in accordance with the instruction manual, may cause harmful interference to radio communication. However, there is no guarantee that interference will not occur in a particular installation. If this equipment does cause harmful interference to radio or television reception, which can be determined by turning the equipment off and on, the user is encouraged to try to correct the interference by one or more of the following measures:
 - Reorient or relocate the receiving antenna.
 - Increase the separation between the equipment and receiver.
 - Connect the equipment into an outlet on a circuit different from that to which the receiver is connected.
 - Consult the dealer or an experienced technician for help.

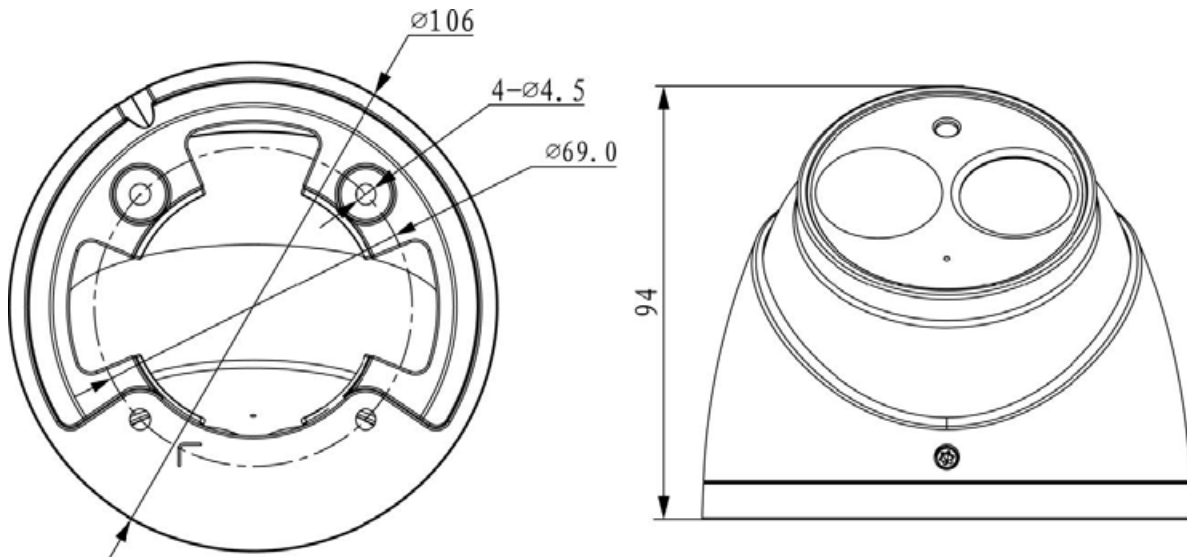
Note: Refer to the disk for more details, check and download corresponding user's manual and tool. Before installation, open the package and check that all components are included. If any components are broken, contact your local supplier.

1. Pre-install Information

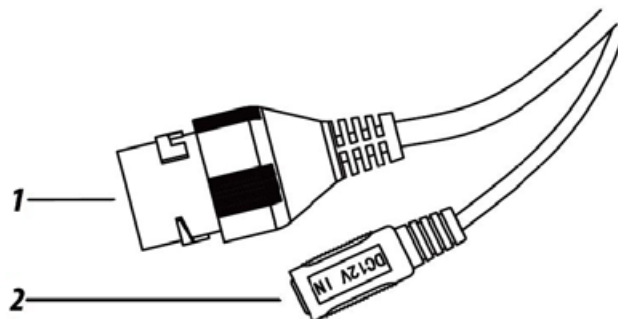
Included components

1 x	VDMINIIRCB Series IP Camera
1 x	Quick Start Guide
1 x	Installation Accessories Bag: <ul style="list-style-type: none"> • Position installation map • Expansion bolts • Locking screws • Self-tapping screws • Screwdriver
1 x	CD

Dimensions



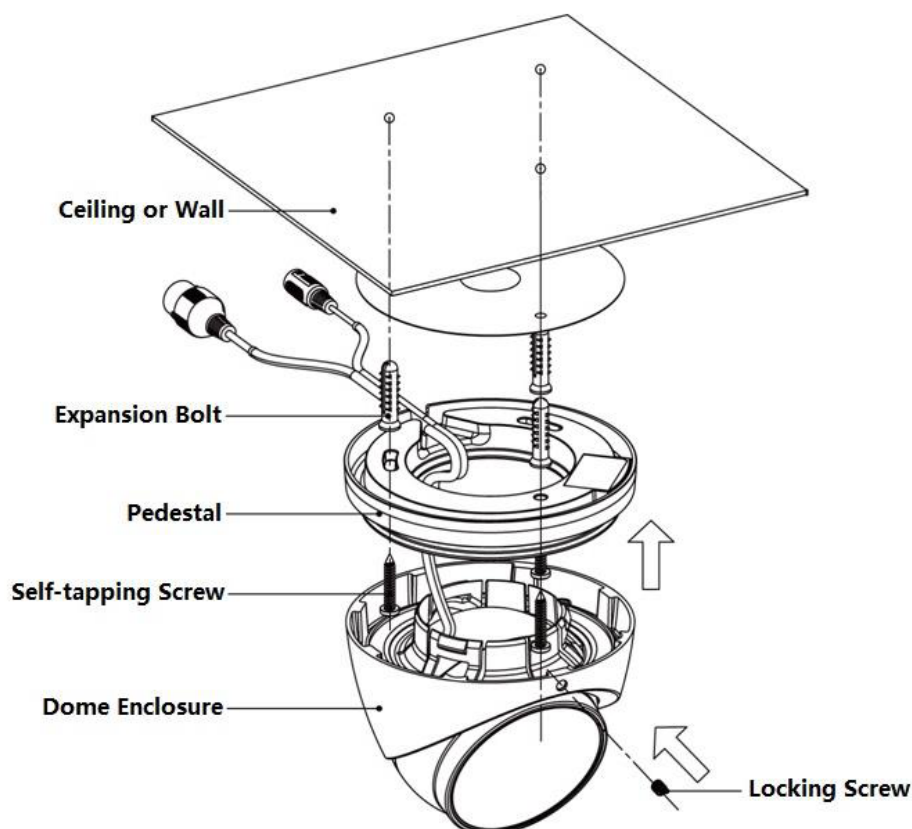
Connection ports



Port	Name	Function
1	LAN	Network port (Ethernet connector)
2	Power	Power input port (optional)

2. Camera Installation

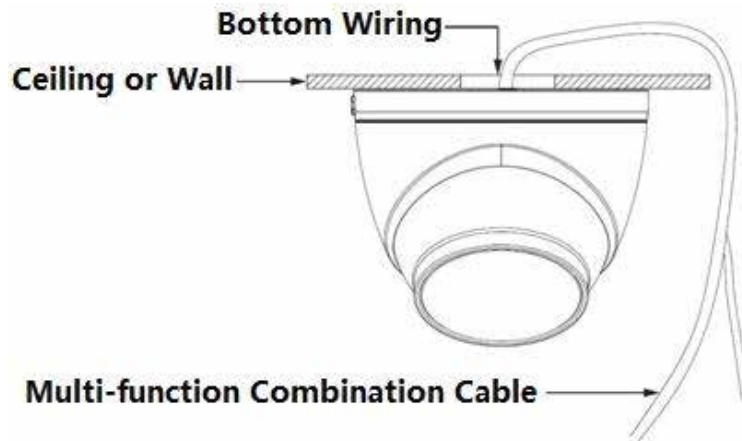
Here we will walk you through the installation process of your “VDMINIIRCB Series” camera. We will show you how to set up and adjust your camera as well as waterproofing your network cable. Be sure to check the *Pre-install Information* to have an understanding of the included components, dimensions, and connection ports.



2.1 Position the camera

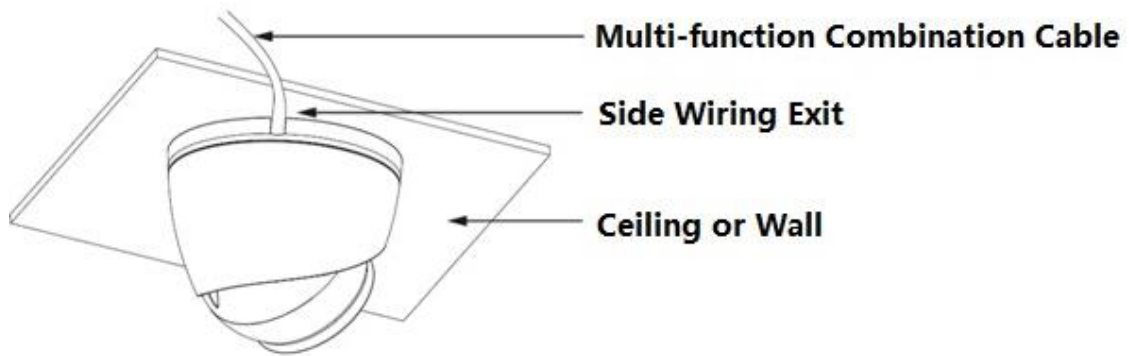
1. Position the installation map to a wall or ceiling and drill holes where marked.
2. Insert the expansion bolts into the drilled holes.
3. Use the self-tapping screws to fix the camera onto the surface.
4. Manage and plug in external cables on device (See *1.2 Cable management*).
5. Apply waterproofing to network cable (See *1.3 Waterproofing the camera*).
6. Setup is complete!

1.2 Cable management



1.2.1 Bottom wiring

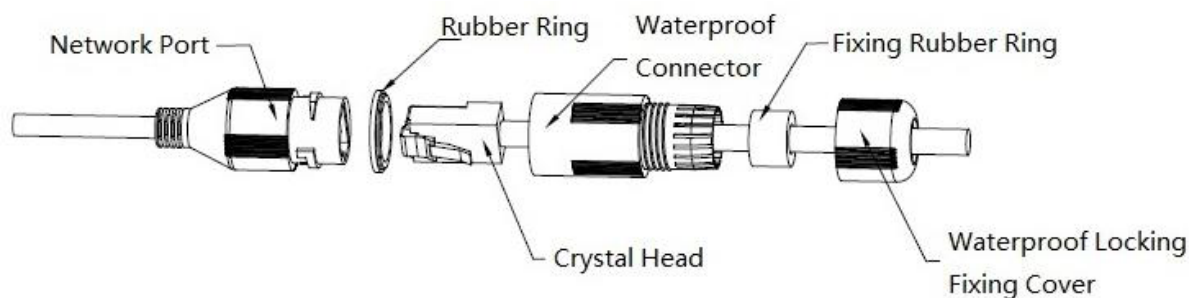
Lead the cable out through your ceiling or wall. This can protect and hide the cable effectively.



1.2.2 Side wiring

Lead the cable out through the side exit and add a metal conduit to prevent the cable from being damage.

1.3 Waterproofing the camera



1. Install the rubber ring into the network port, keeping the smaller hole of the rubber ring facing outwards and fixing the rubber ring onto the main body of the waterproof cable.
2. Pull the network cable (without the crystal head) through the main body of the waterproof connector. Fix the rubber ring and waterproof locking cover, attach the crystal head of network cable, and insert it into the network cable.
3. Put the main body of the waterproof connector on the network port and rotate it clockwise to lock the network port and waterproof connector firmly.
4. Put the waterproof cover on the main body of the waterproof connector and rotate it clockwise to lock them firmly together.



Note:

This quick install guide is for reference only. Slight difference may be found in user interface.

All the designs and software here are subject to change without prior written notice.

If there is any uncertainty or controversy, please refer to the final explanation of us.

Please visit our website or contact your local service engineer for more information.

For the full user manual, instructional videos, tips for using your surveillance system and warranty information, please visit:

www.vip-vision.com