

Recessed Ceiling Mount Bracket

Model: VSBKT201C

Neat and Integrated recessed ceiling mounting bracket

Model	VSBKT201C
Materials	SECC & PC
Dimensions	Ø211 x 88mm
Pipe Thread	N/A
Operating Conditions	-40° ~ 60°C / 90% RH (max)
Load Bearing Capacity	1.50kg
Weather Resistance	N/A
Weight	0.61kg



Bracket Compatibility

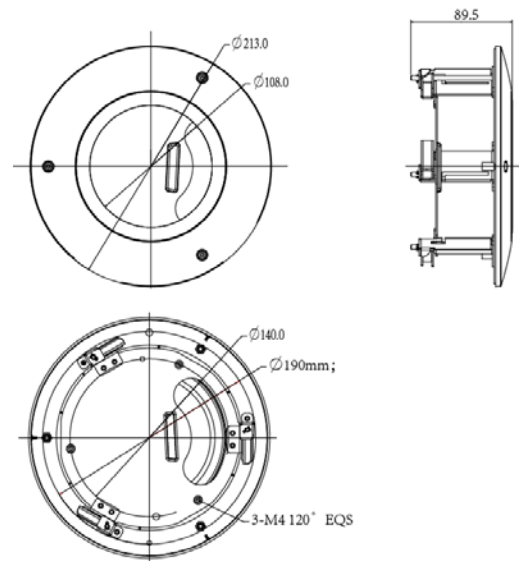
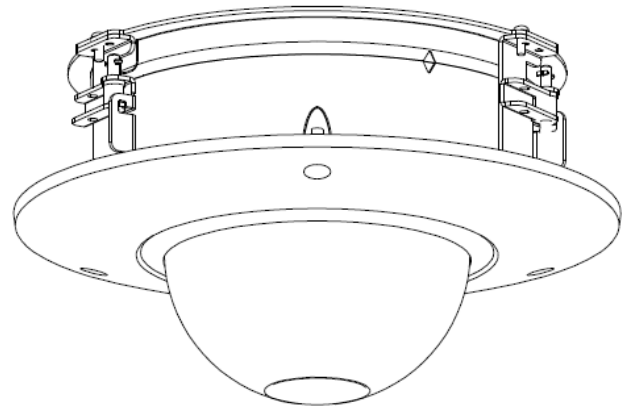
This bracket is compatible with the following cameras from VIP Vision and/or Securview Victory Series.



VSIP12MPVDIRM,
VSIP4MPVDIRM



No compatible models.



Additional camera brackets, adapters, junction boxes or connectors may be required for camera compatibility. Please see full bracket compatibility reference for more detail.

Your professional CCTV surveillance dealer: